

Model No.SC-101



Conventional Photoelectric Smoke Detector

Overview

RIO smoke detectors are designed to be effective. Smoke detection using MCU for management And we have experimented and designed it to be suitable for use in Residential buildings, and condominiums. We also design our equipment to be easy to maintain.



Feature

RIO conventional photoelectric smoke detector model SC101 is designed using MCU processing technology, so we can customize the features available in the following features:

1. Two wire conventional photoelectric smoke detector
2. The RIO-100 Series detectors can choose whether provide normal operating conditions, the LED displayed on the device provides Flashing or off . Mode
3. In normal working condition, the Remote LED Lamp will flash slowly to show the working status of the device. And in the emergency notification condition, the Remote LED will blink quickly.
4. We designed the chamber to be removable for easy maintenance.
5. The LEDs will latch on during alarm, and can only be reset by a momentary power interruption.
6. A magnet test available.

Technical specification

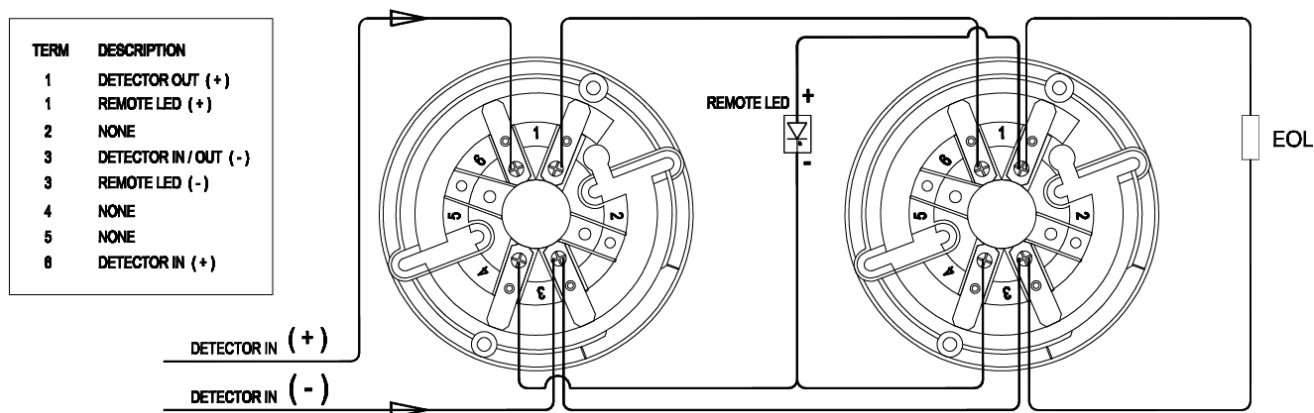
- Operation voltage 16 Vdc-28 Vdc
- Standby current $\leq 50 \mu\text{A}$.
- Alarm current $\leq 55 \text{ mA}$.
- Operating temperature 0 ~50 C•
- Operating humidity 0-95% RH ,Non condensing

Application

- Wide operating voltage for fire alarm conventional device
- Suitable for indoor installations such as bedrooms, living rooms and areas that need to be detected.
- A smoke tester can be used to perform the test.

Warning: The alarm current depends on the current limit of the control panel. 24VDC cannot power the detector directly.

Typical wiring diagram



Model	Voltage (DC)	Standby current	Alarm current	Fire LED	Remote LED	Base Model
SC-101	16-28 Vdc	$\leq 50 \mu\text{A}$	$\leq 50 \text{mA}$	Normal Red, flash Alarm Red, Steady	√	B100

Testing

Test the units in place annually, using Smoke! In A Can and following the directions on the can. The unit performs a smoke test every 9 seconds while flashing its LED. If smoke is detected, the rate of sampling increases to every 4.5 seconds. The smoke detector must detect

Cautions

Dust covers can't be removed until the project is put into use formally. Take well care of dust covers for future use.

Maintenance

Cleaning the smoke detector The smoke detectors have an optical chamber that unsnaps for easy field cleaning and service. Whenever the Alarm LED indicates that cleaning is necessary. Clean the chamber by blowing dust or washing all components except PBB Part only. reassemble and then do the test again.

Listings



Accessories

- B100 Standard base for SC-101,HC-101
- RIO-SIM Smart interface module